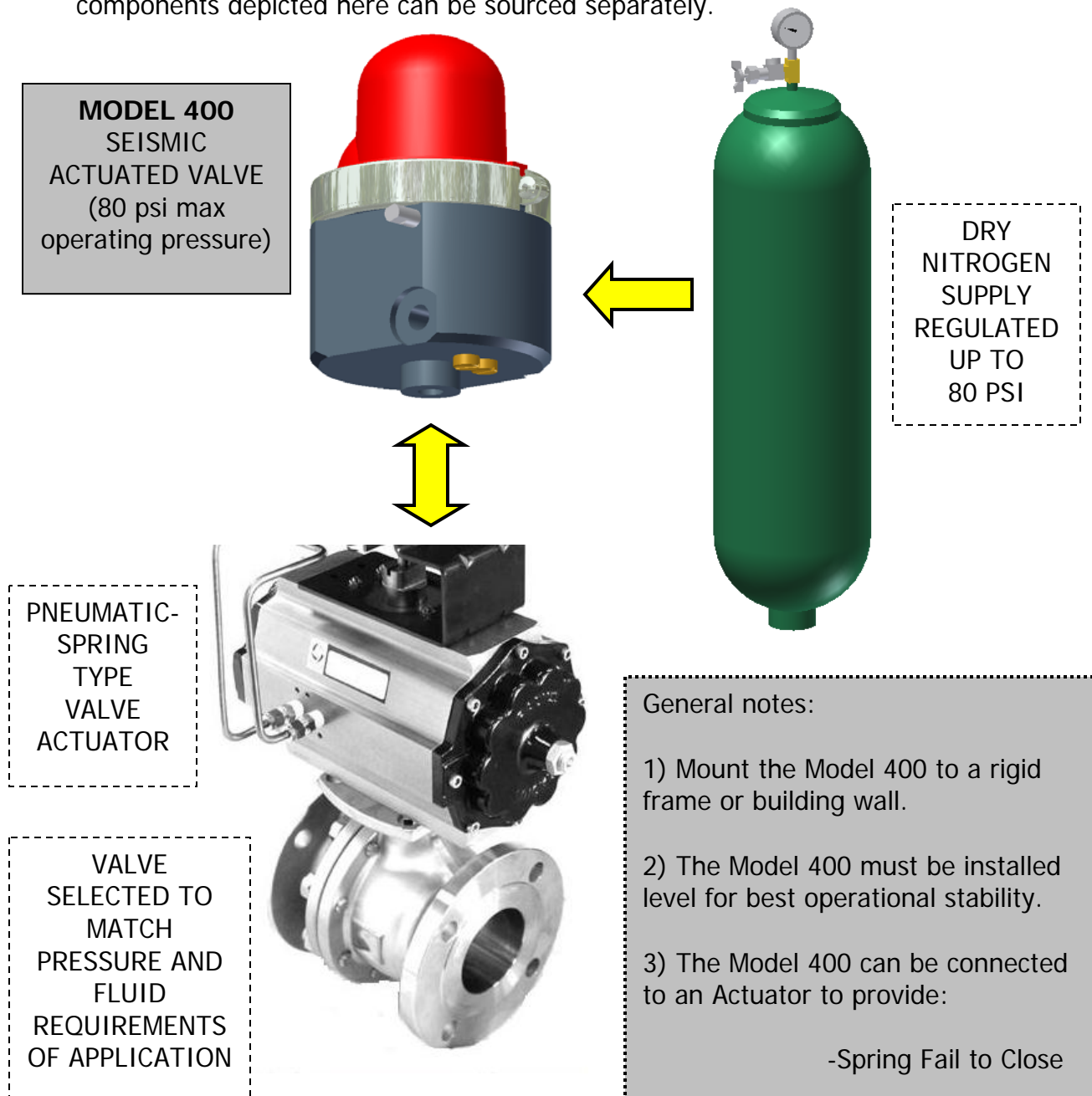
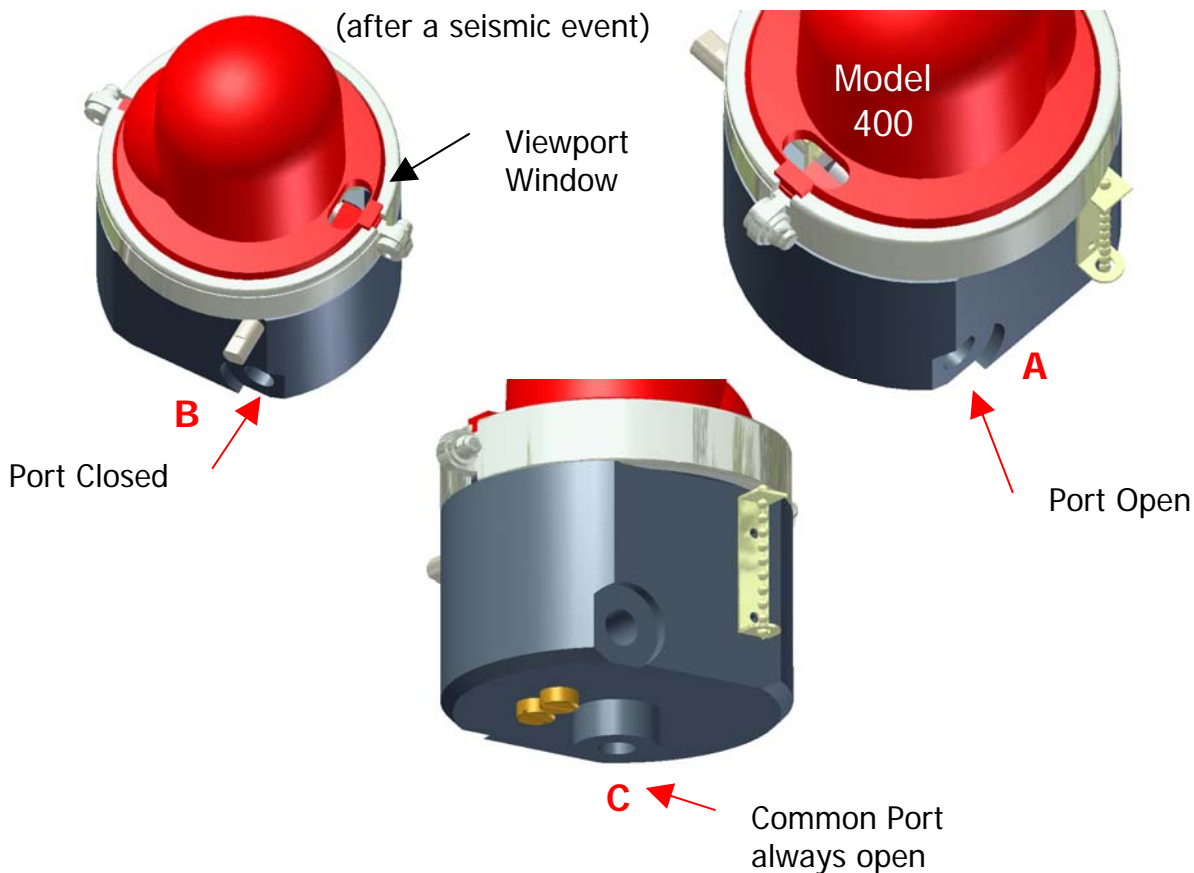


Model 400 System Concept

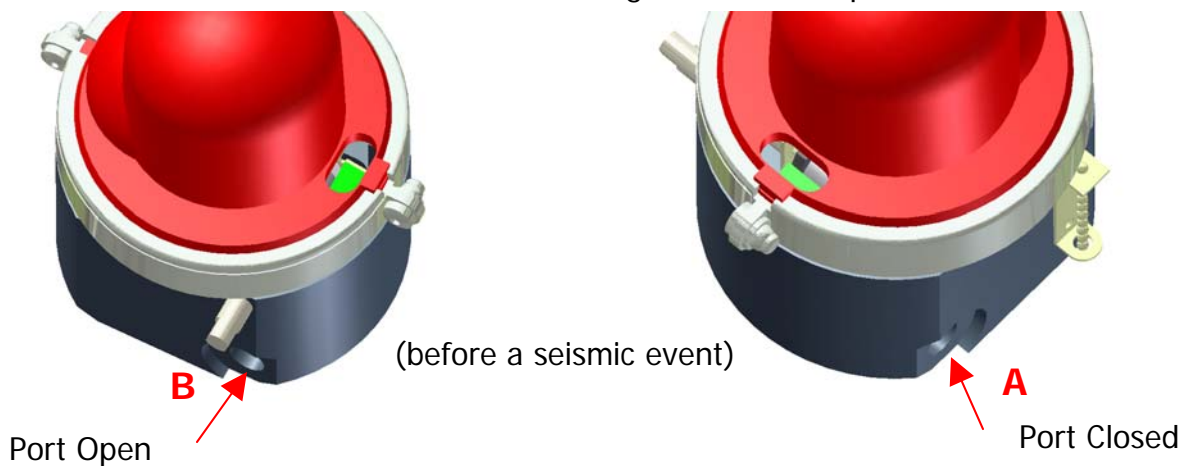
Note: Pacific Seismic Products, Inc. supplies the Model 400 only; other components depicted here can be sourced separately.



Port flow condition when RED indicator flag shows in viewport window:



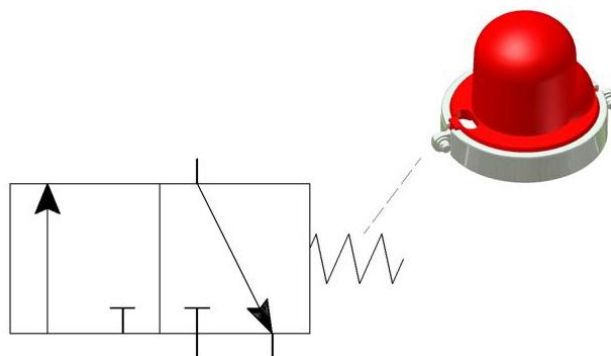
Port flow condition when GREEN indicator flag shows in viewport window:



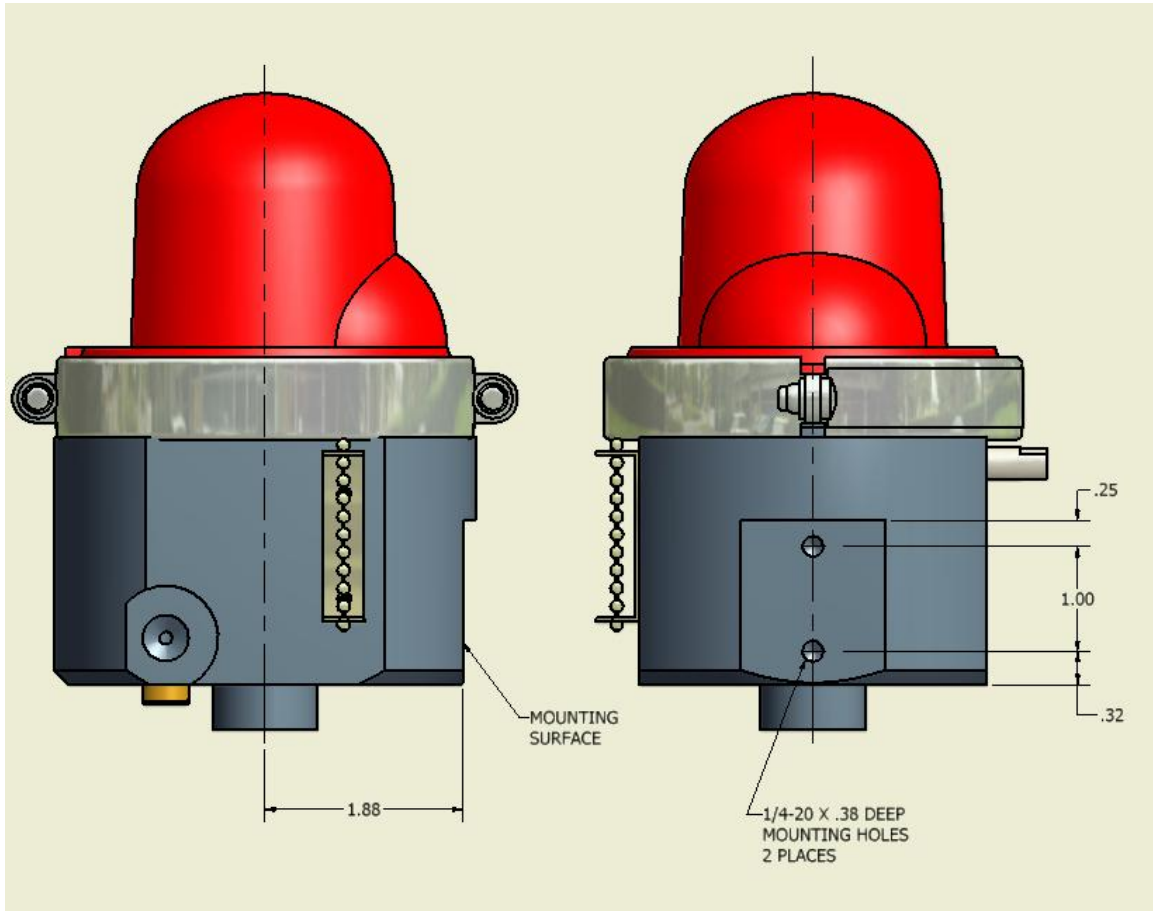
This is a 2-Position, 3-Way valve with spring action "armed" when the view window indicates "green."

The all-mechanical seismic sensor located in the red color dome area operates according to ASCE 25-97.

Reset must be done manually.



Model 400 Seismic Actuated Valve Mounting Detail



Mounting notes:

- Mount level with gravity as indicated by chain level site
 - Mount rigidly so that the valve will shake as much like the earth or building foundation as possible
-