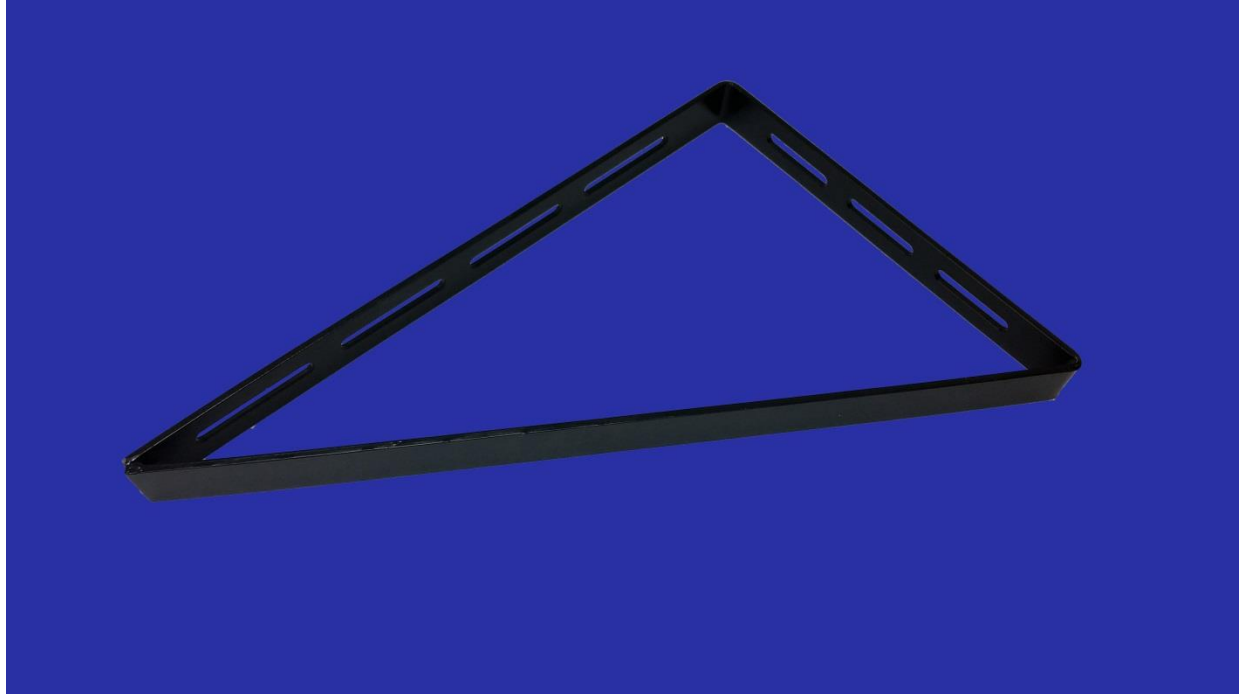


**A
C
C
E
S
S
O
R
Y**

CALIFORNIA VALVE

Model EVB-01 Seismic Valve Stabilizer Brace



The Model EVB-01 is stabilizing brace that is used in the mounting of an Earthquake Activated Gas Shut-Off Valve. Use of this bracket helps to ensure proper functionality of the Earthquake Activated Gas Shut-Off Valve, and also helps in preventing false trips. It can be used for both Vertical and Horizontal installations. With its slotted mounting holes, this brace allows for easy installation and adjustability.

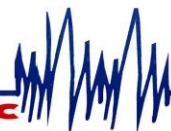
More Information And Specifications On Back

800-4-GAS-OFF

Pacific

Seismic

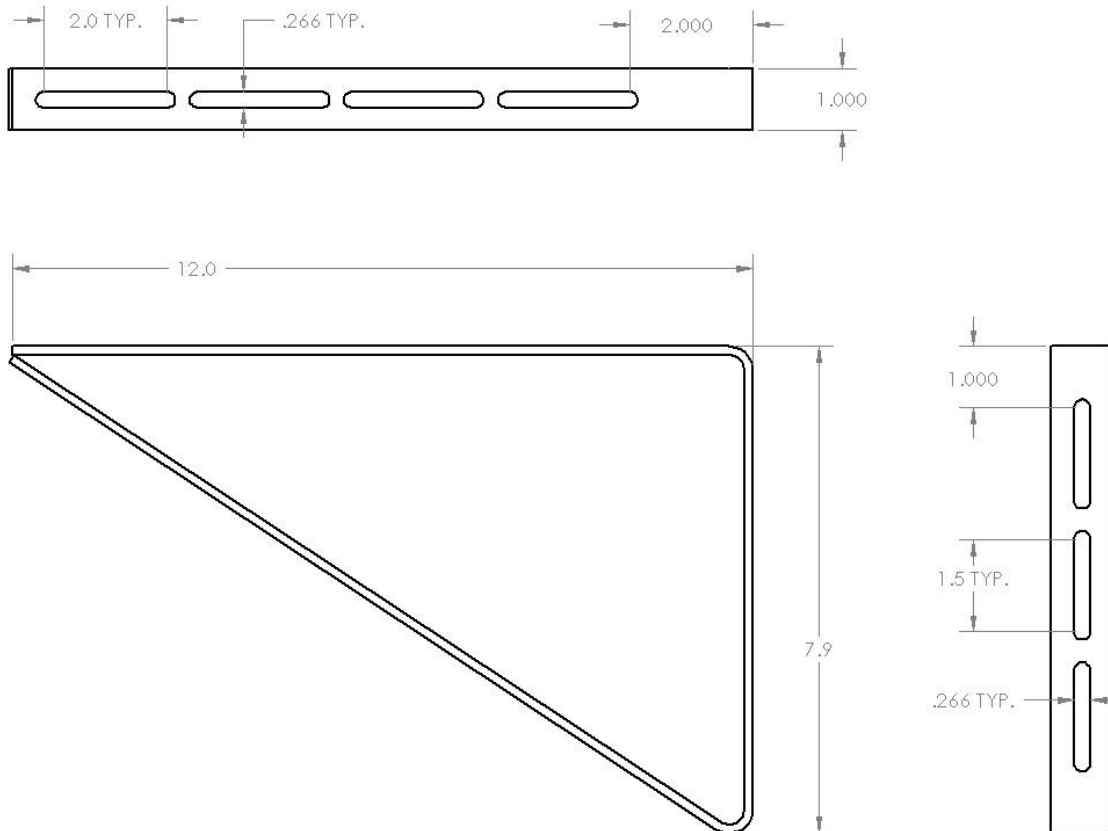
Products



Specifications: Model EVB-01

Stabilizer Brace

S
P
E
C
I
F
I
C
A
T
I
O
N
S



Model #	Length	Width	Height	Material	Finish	Hardware Kit (Sold Separately)	
						Part #	Pipe Size
EVB-01	12"	1.0"	7.9"	Steel	Black Powder Coat	R1	3/4"
						R2	1"
						R3	1-1/4"
						R4	1-1/2"
						R5	2"

