

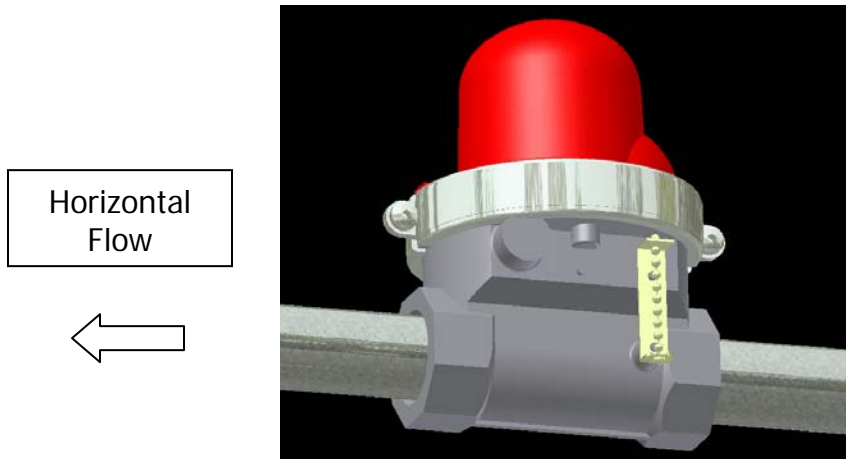
---

Quick Reference

Seismic Actuated Valve **MODEL NUMBER** and **INSTALLED ORIENTATION**

---

Valves for installation only on a HORIZONTAL run of pipe have no letter prefix in the model number. For instance Model 300 or 301 or 310 or 314F etc...



Valves for installation only on a VERTICAL run of pipe have a specific prefix in the model number. For UPWARD flow the prefix is VB, DOWNWARD flow is VT:

