

Pacific Seismic Products, Inc.  
Lancaster, California 93535

**Reset Instructions for Models 317F and 319F**

WARNING: NEVER FORCE THE RESET SHAFT COUNTER-CLOCKWISE

WARNING: IF POSSIBLE BLEED INLET PRESSURE DOWN BEFORE RESET

**A**-Rotate reset shaft CLOCKWISE a few degrees to B with moderate force

**B**-Hold the wrench and reset shaft with moderate tension to allow any line pressure to bleed across the spring loaded disk poppet valve (illustration 1)

**C**-Continue to rotate to 1/4 turn clockwise where a hard stop will be felt. Do not use excessive force. (illustrations 2 and 3)

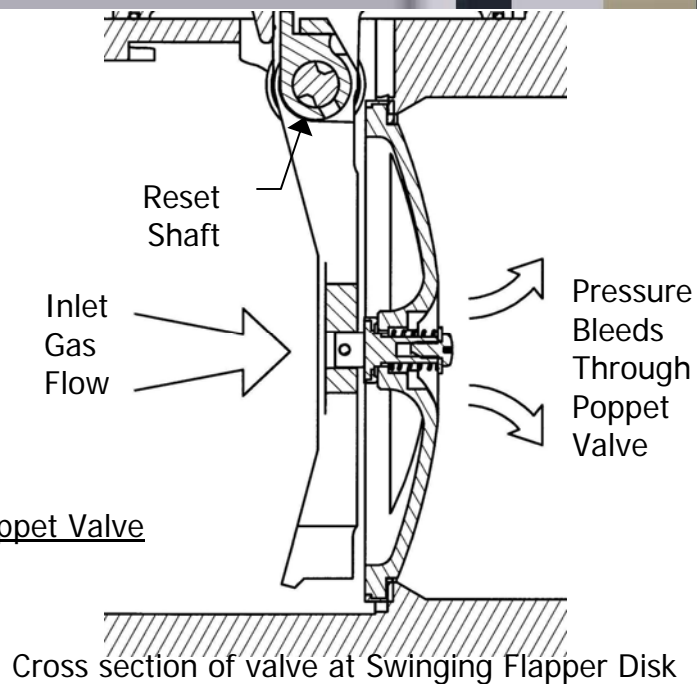
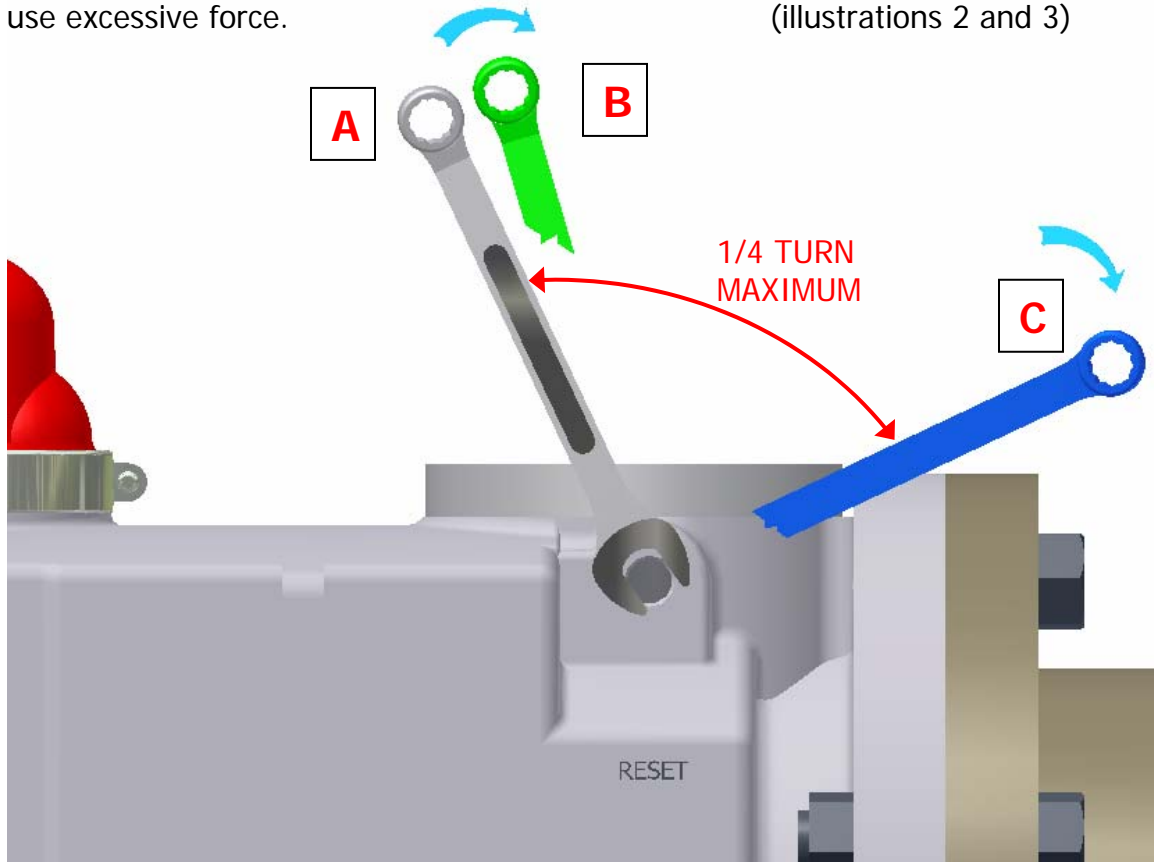


Illustration 1 of Disk Poppet Valve  
(Refer to step **B** above)

Illustration 2 showing Disk Rotating 1/4 Turn Clockwise Toward Reset (Refer to step C above)

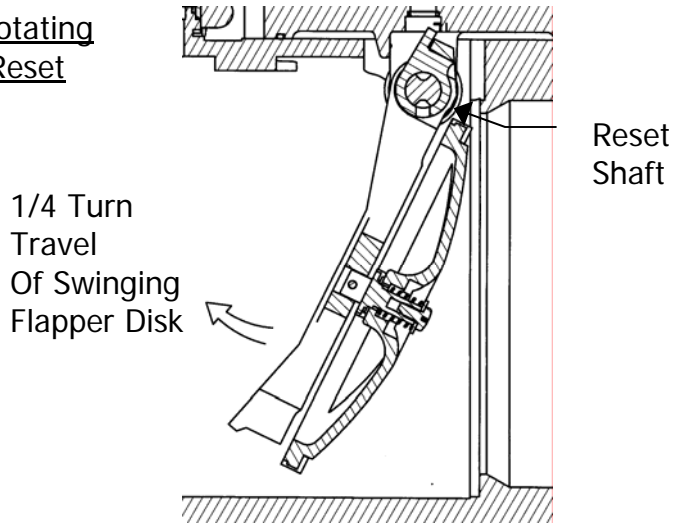
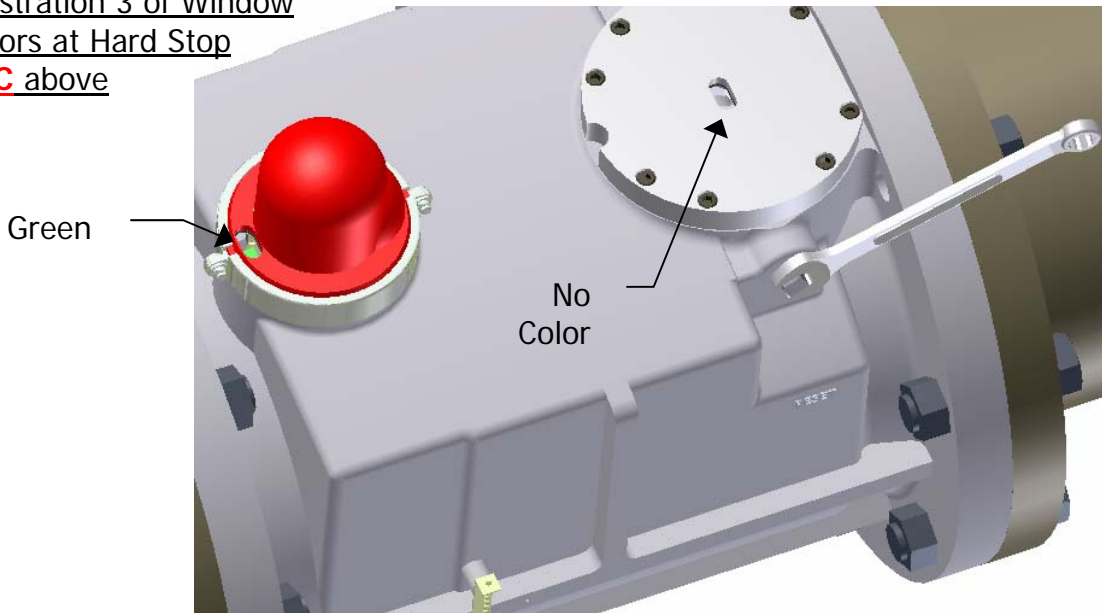


Illustration 3 of Window Colors at Hard Stop of C above



**D**-Release tension on wrench and reset shaft, spring loaded reset shaft will go back to starting position **A**.

