

Model RA501 Remote Actuator

Works With All CALIFORNIA Valves 3/4" - 8"



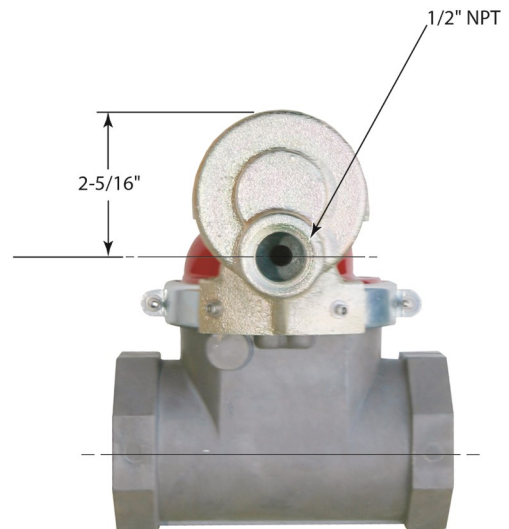
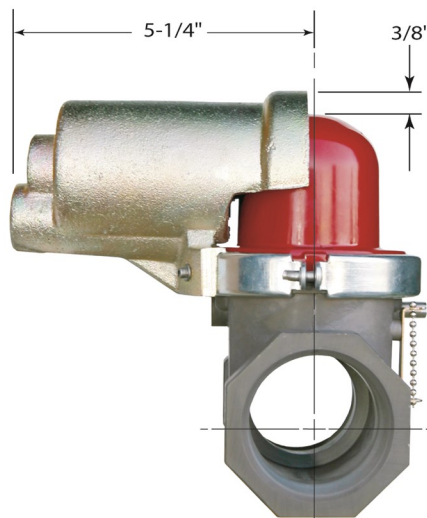
Remote Actuator shown installed on 1-1/2" valve, installation is typical.

The Model RA501 Remote Actuator will add an additional layer of protection to panic switches, fire and sprinkler alarm systems. A CALIFORNIA valve with an RA501 Remote Actuator will trip during a violent earthquake or when an electrical signal is present.

Available for all CALIFORNIA valves, the actuator is factory installed at the time of manufacture. It is not available as a retro fit to existing valves.

A typical customer's system would include a 24 volt transformer, panic switch and our RA501, providing both panic/emergency shut off and seismic protection.

Specifications



Voltage: 24

Wire: Low Voltage

Draw: 15 Watts

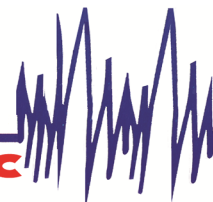
Warning/Notice: To ONLY be used with a NEC Class 2 Power Supply

800-4-GAS-OFF

Pacific

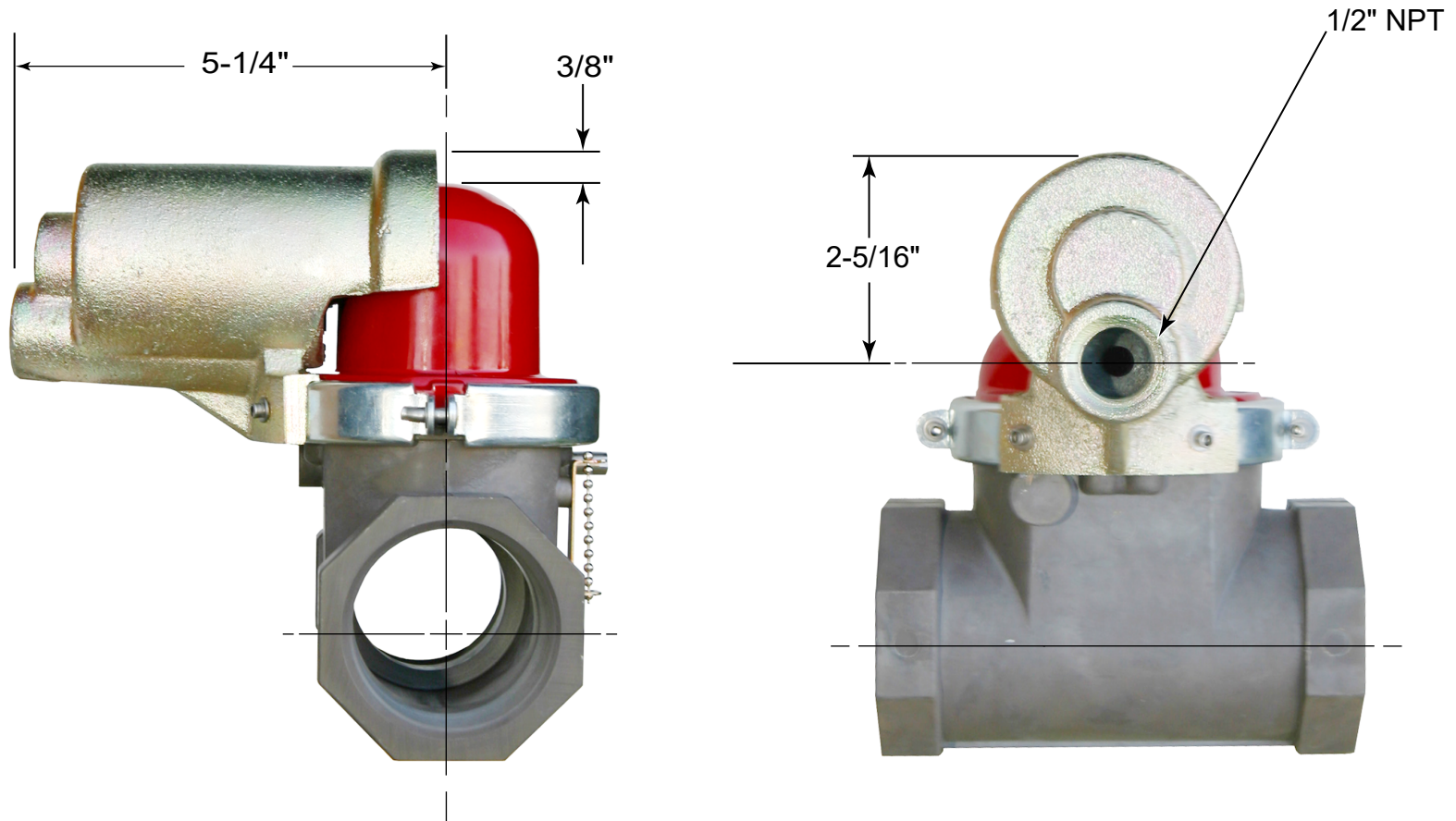
Seismic

Products



Specifications: Model 501 Remote Actuator

Available For All CALIFORNIA Valves



California Seismic Valves are UL listed in the USA, Certified by the California State Architect's Office, Approved by the City of Los Angeles, and are warranted free of manufacturer's defects for 30 years. All valves meet California Standards for Earthquake Actuated Automatic Gas Shut off Systems, Standard No. 12-12-1, ANSI Z21.21, 2012 and ASCE 25-06 Standards.

Pacific Seismic Products
233 East Avenue H-8 • Lancaster, CA 93535 • USA

Tel (661) 942-4499
Fax (661) 942-0999
TF (800) 4-GAS-OFF
www.4GasOff.net